

WATER TUBE Kneipp wall elbow with hose holder with individual rosettes - Chrome

LULU

27 820 979



Fits: LULU, MADISON, TARA, LISSÉ, VAIA, META

- LAMINAR FLOW, max. flow rate 15 l/min (at 3 bar)
- rosette Ø 70 mm
- holder for Kneipp hose
- 1/2" wall elbow
- without hose

Intrinsic protection against back flow.

Product change as of 1.4.2023: max. flow 15 l/min

Intrinsic protection against back flow.

Product change as of 1.4.2023: max. flow 15 l/min

	Chrome	27 820 979-00
	Brushed Platinum	27 820 979-06
	Platinum	27 820 979-08
	Dark Chrome	27 820 979-19
	Brushed Durabronze (23kt Gold)	27 820 979-28
	Matte Black	27 820 979-33
	Brushed Bronze	27 820 979-42
	Brushed Champagne (22kt Gold)	27 820 979-46
	Champagne (22kt Gold)	27 820 979-47
	Brushed Chrome	27 820 979-93
	Brushed Dark Platinum	27 820 979-99

Required miscellaneous

Concealed adapter -

35 080 970-90
0010



Required miscellaneous

WATER TUBE Kneipp hose white 2000 mm - Chrome 28 285 979-00

- with holding ring
- hose nozzle with sleeve M33



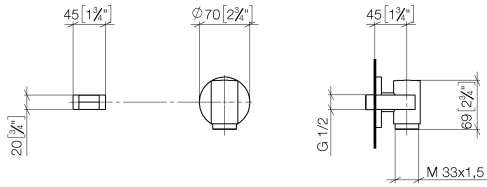
Required miscellaneous

WATER TUBE Kneipp hose black 2000 mm - Chrome 28 286 979-00

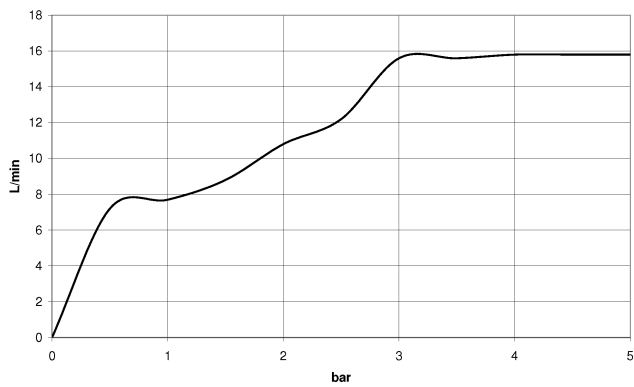
- with holding ring
- hose nozzle with sleeve M33



27 820 979
mm [inches]



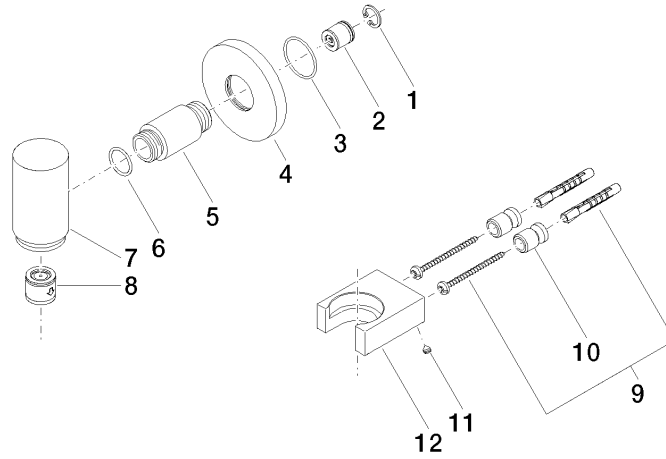
Flow rate chart



Certificates

Belgaqua_21-381-
27_7.

27 820 979



Spare parts list

No.	Item Number	Name	Quantity used	Delivery time
1	09 16 01 014 90	ring	1	2
2	09 23 01 046 90	back-flow preventer	1	2
3	09 14 10 135 90	seal	1	2
4	09 27 97 020-00	rosette	1	10
5	09 24 04 138-00	nipple	1	60
6	09 14 10 053 90	seal	1	2
7	09 11 03 051-00	connection	1	10
8	90 23 01 045 00 90	back-flow preventer	1	2
9	05 17 20 726 02 90	fixing set	1	2
10	08 17 20 726 90	holder	2	2
11	09 31 11 148 90	pin	2	2
12	09 17 20 023-00	holder	1	10